

THIS DRAWING IS UNPUBLISHED. RELEASED FOR PUBLICATION, 19
 © COPYRIGHT 19 BY AMP INCORPORATED. ALL INTERNATIONAL RIGHTS RESERVED.

| | | | | | | | | |
|-----|------|---|---|-----------|-----|-----------------|---------|--------|
| LOC | DIST | P | F | REVISIONS | | | | |
| G | 14 | | | ZONE | LTR | DESCRIPTION | DATE | APPD |
| | | | | | D | EC 0720-0279-93 | 6-21-93 | 556 BB |

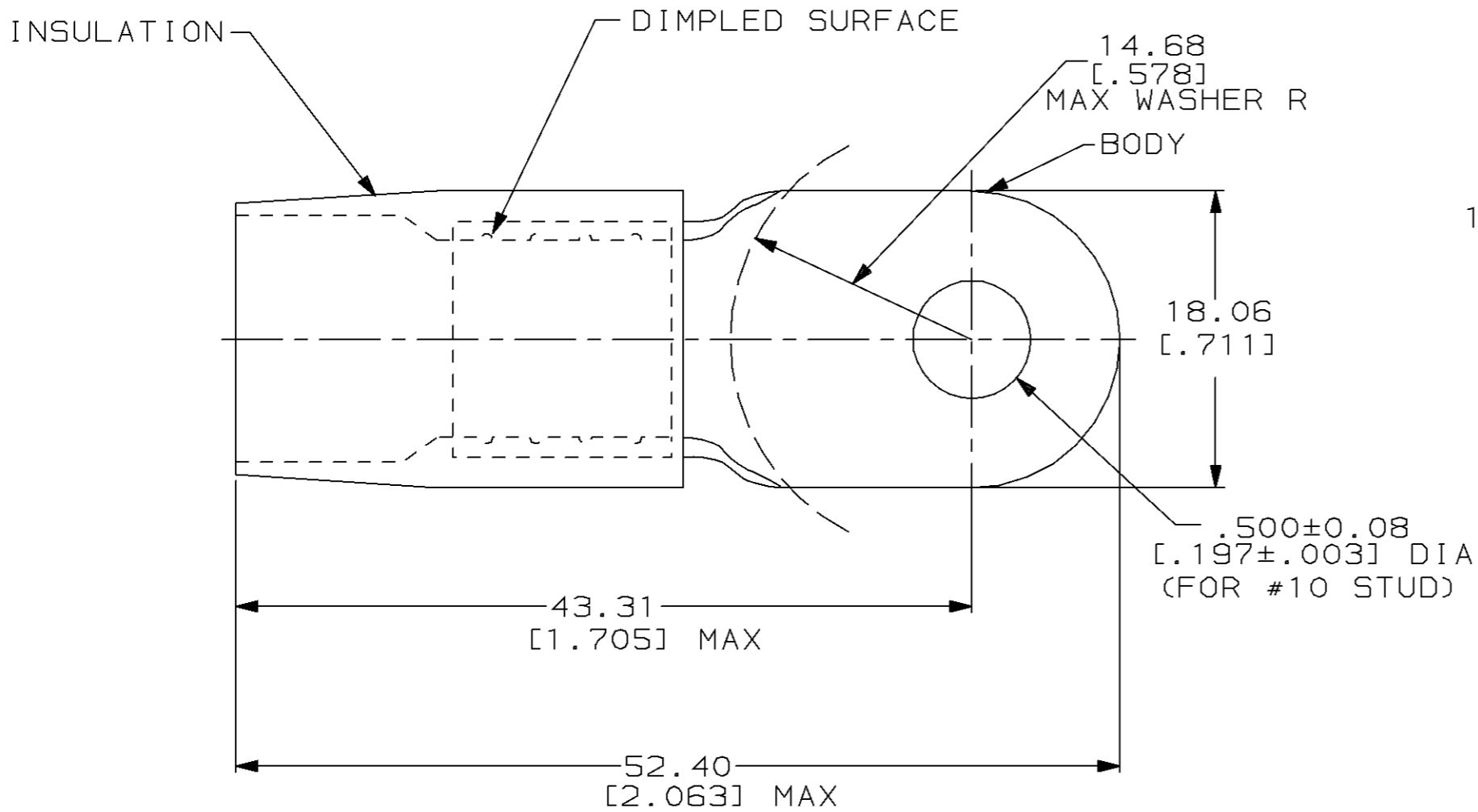
AMP
WIRE RANGE

2 AWG
STRANDED

METRIC

DIMENSIONS LISTED IN mm [INCHES]

1. TONGUE MATERIAL THK 1.45±0.08 [.057±.003] FOR 11.89 [.468] MAX WIRE INS DIA



| | |
|---|--|
| AMP INCORPORATED CUSTOMER SERVICE SYSTEMS | |
| FOR ADDITIONAL PRODUCT INFORMATION OR COPIES OF DRAWINGS AND TECHNICAL DOCUMENTS | PRODUCT INFORMATION CENTER 1-800-522-6752 |
| FOR APPLICATION TOOLING INFORMATION | TOOLING ASSISTANCE CENTER 1-800-722-1111 |
| FOR ORDER ENTRY | 1-800-526-5142 |

| |
|--|
| MAX RECOMMENDED OPERATING TEMPERATURE: 105°c |
| VOLTAGE RATING: - |
| CIRCULAR MIL AREA: 26.7-42.4mm ² [52,600-83,700] STRANDED |

DO NOT SCALE PRINT.
UNLESS SPECIFIED
~~DIMENSIONS IN mm [INCHES]~~
TOLERANCES ON:
2 PLC DEC ± 0.20 [.008]
3 PLC DEC ± -
ANGLES ± -

MATERIAL
COPPER PER ASTM B-152
NYLON (MIL-M-20693) TYPE 1
COLOR: RED

FINISH
TIN PLATE PER MIL-T-10727

| | | |
|----------------------------|--|------------|
| - | LOOSE PC | 328655 |
| QTY | PACKAGE TYPE | PART NO |
| DR 6-21-93 S.S. GOULDEN | AMP AMP Incorporated Harrisburg, PA 17105-3608 | |
| CHK 6-21-93 R. HERSEY | | |
| APPD 6-21-93 B. BARE | NAME | |
| APPD 6-21-93 M. ELLIS | TERMINAL, RING TONGUE, TERMINYL WIRE SIZE: 2 AWG | |
| PRODUCT SPEC | SIZE | CAGE CODE |
| APPLICATION SPEC | B | 00779 |
| WEIGHT - | SCALE | DRAWING NO |
| | NTS | C-328655 |
| | | SHEET |
| | | 1 OF 1 |